

# nifty

# V130T

## VEHICLE MOUNTED ACCESS PLATFORM

**13m (42ft 6in)**  
Working height

**6.10m (20ft)**  
Working outreach

**Telescopic Upper Boom**  
Greater accuracy when  
positioning platform

**GVW Only 3,500kg**  
Low weight design

**Fully Proportional  
Hydraulic Controls**  
Simple, reliable &  
easy to maintain

**Four Hydraulic Stabilisers**  
Maximum off-road stability

**50/50 Tyres Available**  
For better off-road performance



[niftylift.com](http://niftylift.com)



# nifty V130T

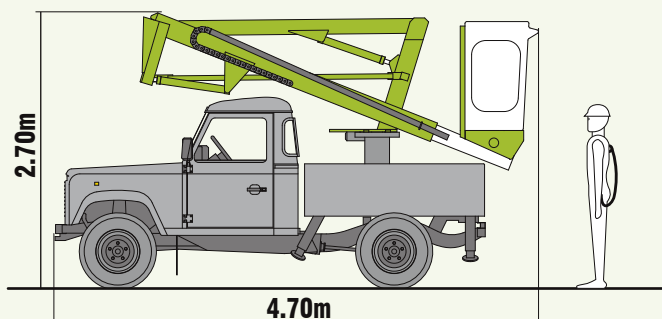
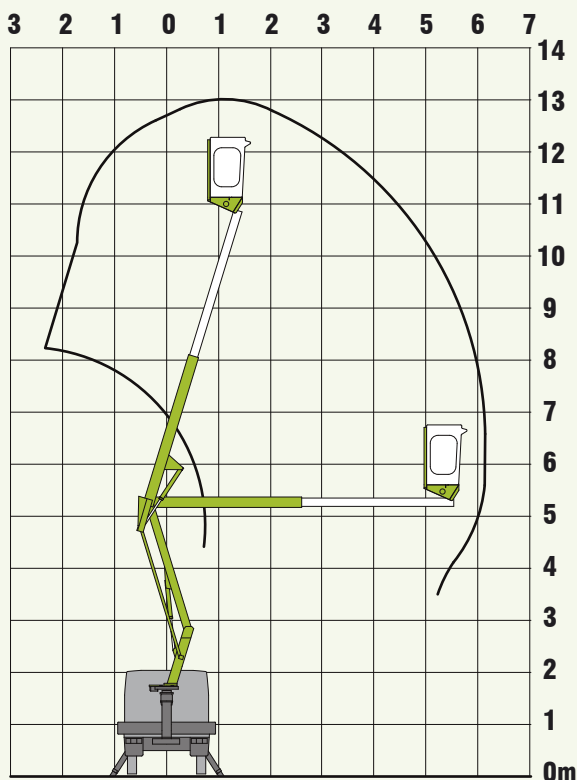
The **V130T** is the UK's number one selling Landrover mounted access platform and is the preferred off-road access solution for most of the major utility companies. The Landrover's rugged 4-wheel-drive allows it to travel comfortably off-road while its four hydraulic stabilisers ensure maximum stability when working. The **V130T's** compact dimensions make it ideal for jobs where space is limited and its impressive outreach make it an invaluable tool in a wide range of applications.

## SAFETY FEATURES

- Pressure sensitive outriggers
- Audible and Visible Alarms
- Manual Recovery with Hand Pumps
- Dual Controls (Platform & Base)
- Lock Valves on all Hydraulic Cylinders
- Four Hydraulic Stabilisers for Maximum Stability Off-Road
- Dual Harness Points
- Platform Overload Warning
- Landrover and Platform combination CE Approved



Fully proportional controls give the operator precise control when positioning the platform and the **V130T** has ample capacity to carry tools and other equipment.



## SPECIFICATION

<b>Working Height</b>	13.00m	42ft 6in
<b>Platform Height</b>	11.00m	36ft 1in
<b>Working Outreach</b>	6.10m	20ft
<b>Slew</b>	406°	
<b>Platform Capacity</b>	200kg	440lbs
<b>Basket Type</b>	2 Man G.R.P. or Steel	
<b>Travelling Height</b>	2.70m	8ft 10in
<b>Travelling Length</b>	4.70m	15ft 5in
<b>Gross Vehicle Weight</b>	3,500kg*	7,720lbs
<b>Controls</b>	Fully Proportional Controls Platform & Cage	
<b>Power Take Off</b>	Gearbox Driven	

Due to a policy of continuing development and improvement, Niftylift reserves the right to change any specification without notice. Please confirm exact specification before ordering.